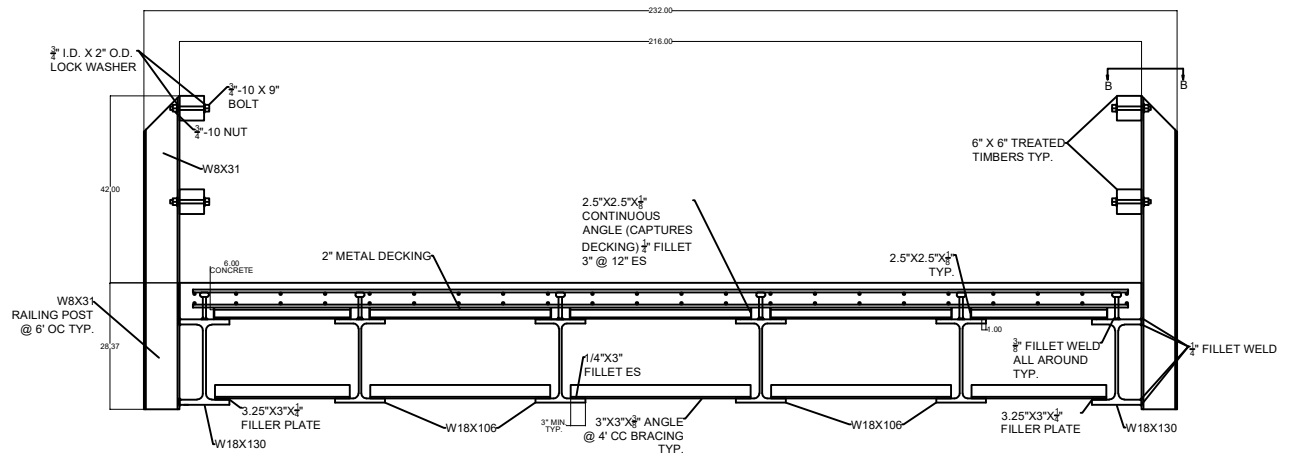
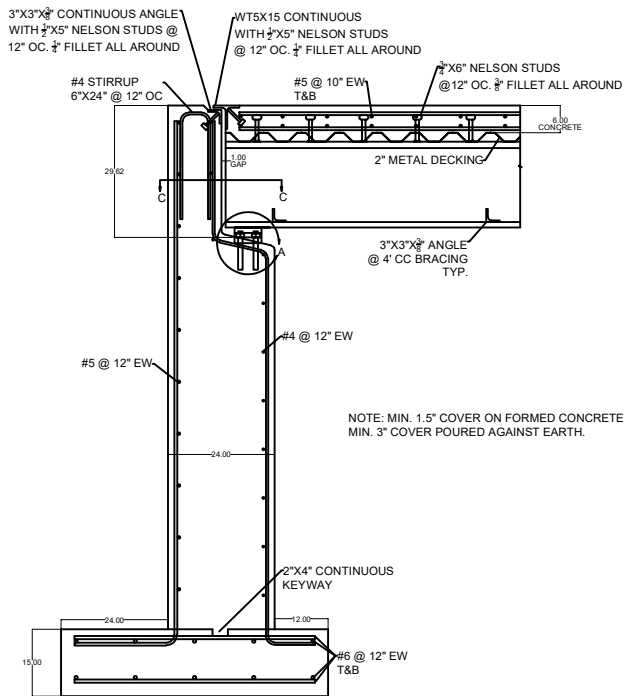


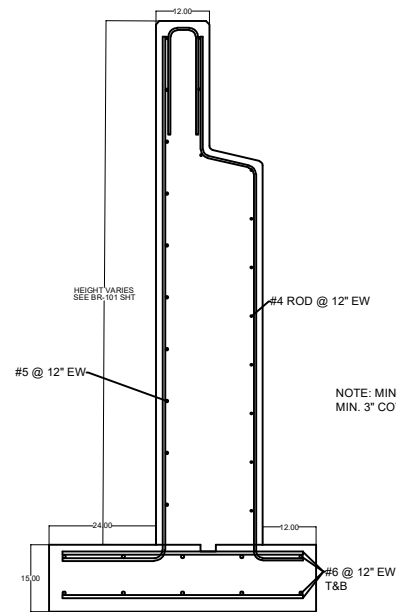
SECTION RAILING TO WALL



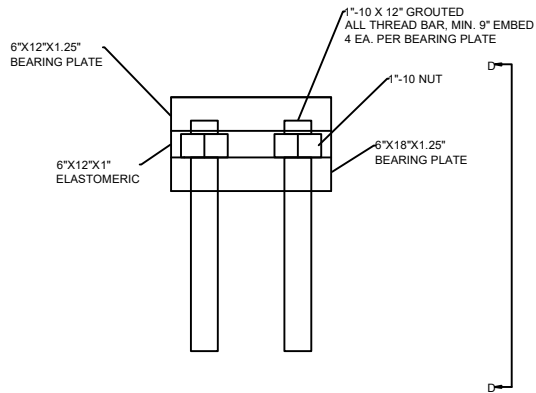
SECTION THROUGH BRIDGE



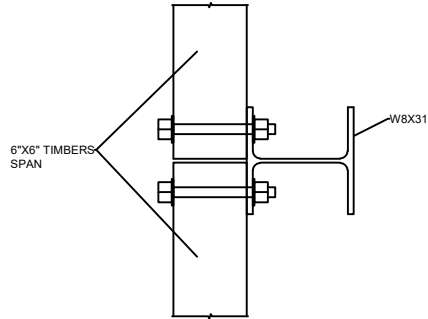
SECTION AT ABUTMENT



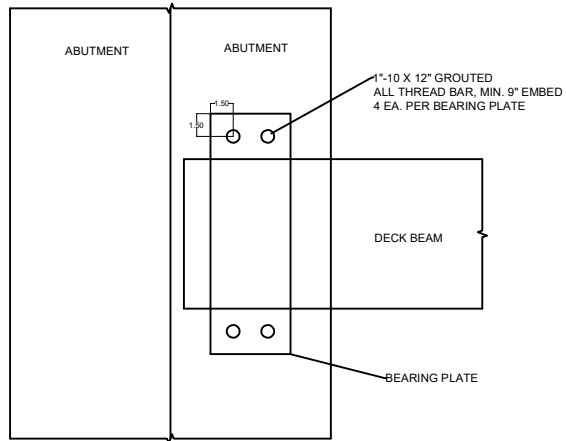
SECTION THROUGH WING WALL



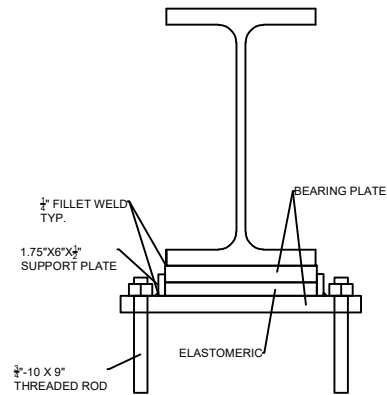
DETAIL A



SECTION B-B



SECTION C-C



SECTION D-D